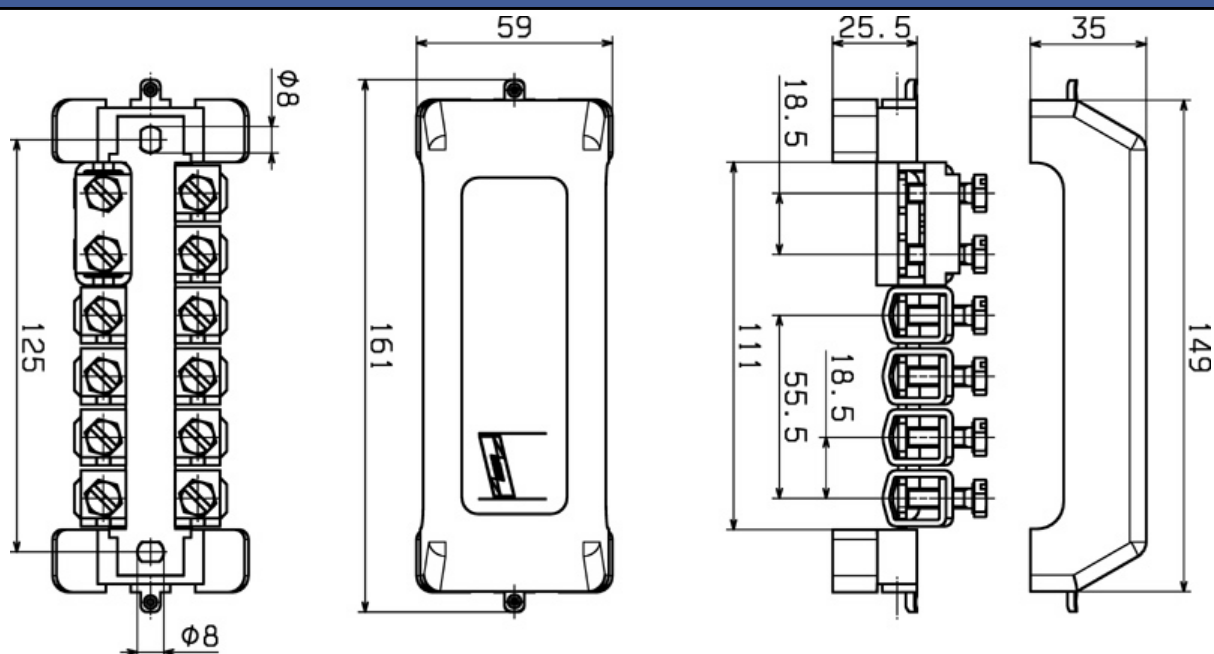


## K 12 Equipotential Bonding Bars, with snap-on terminals

Technical data to part no.: 563 200



<b>Connections</b>	10 x 2.5-95 mm <sup>2</sup>
<b>Connections Rd</b>	or 10 x -10 mm
<b>Connection Fl</b>	1 x -30 x 4 mm
<b>Contact bar</b>	Cu/gal Sn
<b>Cross section</b>	30 mm <sup>2</sup>
<b>Fixing frames</b>	P (grey)
<b>Protective cover</b>	P (grey/sealable)
<b>Standard</b>	DIN VDE 0618 Part 1



### Ordering information

Type	Part No.	Packing unit
K 12 Equipotential Bonding Bars, with snap-on terminals	563 200	1pcs.

Change in form and technology, with masses, weights and materials we reserve ourselves in the sense of the progress of the technology. The illustrations are noncommittal.