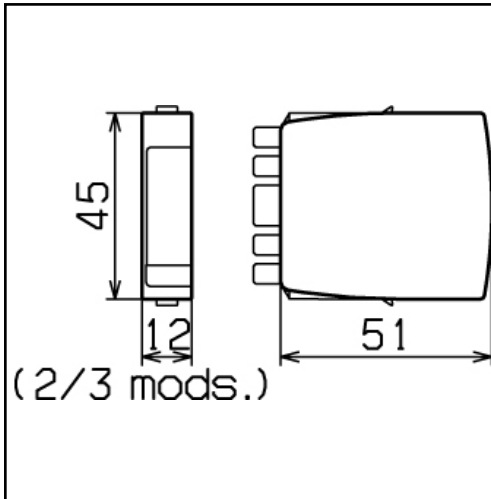
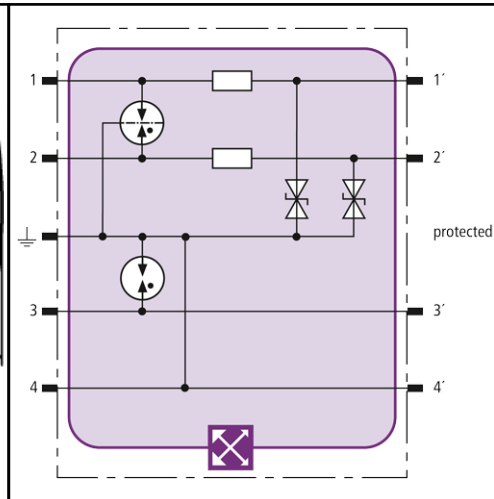


PLUGGABLE SPDs FOR DIN RAIL MOUNTING

BXT ML2 BE S 5



Dimension drawing BXT ML2 BE



LifeCheck detects thermal and electrical overloads after which the SPD has to be replaced. This operating state is indicated by non-contact device DEHNrecord LC.



- **LifeCheck SPD monitoring**
- **Optimal protection for 2 single lines and shield**
- **For use according to the lightning protection zones concept at boundaries 0_A 2 and higher**

Space-saving combined lightning current and surge arrester module with LifeCheck monitoring for protecting 2 single lines with common reference potential as well as unbalanced interfaces, available with direct or indirect shield earthing.

BXT ML2 BE S 5

SPD class	TYPE I Pt
SPD monitoring system	LifeCheck
Nominal voltage [U_N]	5 V
Max. continuous operating d.c. voltage [U_C]	6.0 V
Max. continuous operating a.c. voltage [U_C]	4.2 V
Nominal current for 45°C [I_N]	1.0 A
D1 Total lightning impulse current (10/350 μs) [I_{imp}]	10 kA
D1 Lightning impulse current (10/350 μs) per line [I_{imp}]	2.5 kA
C2 Total nominal discharge current (8/20 μs) [I_n]	20 kA
Voltage protection level line-line for I_{imp} D1 [U_p]	≤ 29 V
Voltage protection level line-PG for I_{imp} D1 [U_p]	≤ 27 V
Voltage protection level line-line for 1 kV/μs C3 [U_p]	≤ 18 V
Voltage protection level line-PG for 1 kV/μs C3 [U_p]	≤ 9 V
Series impedance per line	1.0 ohm
Bandwidth line-PG [f_G]	1.0 MHz
Capacitance line-line [C]	≤ 2.7 nF
Capacitance line-PG [C]	≤ 5.4 nF
Operating temperature range	-40°C...+80°C
Degree of protection (plugged-in)	IP 20
Pluggable into	base part
Earthing by	base part
Enclosure material	polyamide PA 6.6
Colour	yellow
Test standards	IEC 61643-21

Ordering information	
Type	BXT ML2 BE S 5
Part No.	920 220
Packing unit	1 pcs.

Change in form and technology, with masses, weights and materials we reserve ourselves in the sense of the progress of the technology. The illustrations are noncommittal.