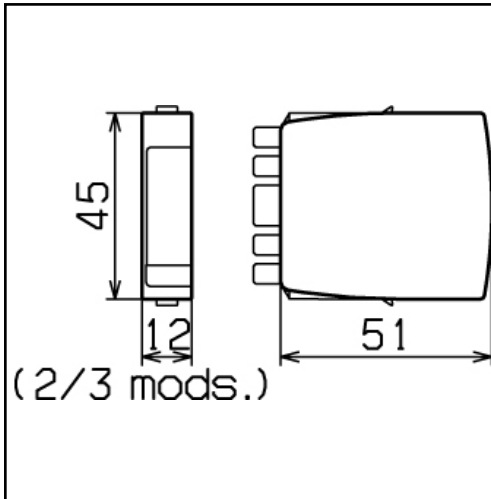
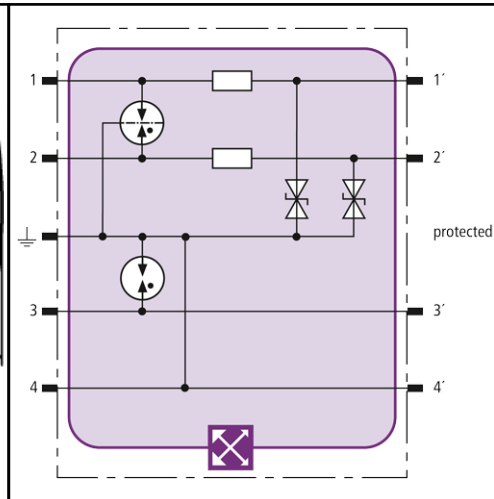


**PLUGGABLE SPDs FOR DIN RAIL MOUNTING**

**BXT ML2 BE S 12**



Dimension drawing BXT ML2 BE



LifeCheck detects thermal and electrical overloads after which the SPD has to be replaced. This operating state is indicated by non-contact device DEHNrecord LC.



- **LifeCheck SPD monitoring**
- **Optimal protection for 2 single lines and shield**
- **For use according to the lightning protection zones concept at boundaries 0<sub>A</sub> 2 and higher**

Space-saving combined lightning current and surge arrester module with LifeCheck monitoring for protecting 2 single lines with common reference potential as well as unbalanced interfaces, available with direct or indirect shield earthing.

**BXT ML2 BE S 12**

<b>SPD class</b>	<b>TYPE I Pt</b>
<b>SPD monitoring system</b>	LifeCheck
<b>Nominal voltage [U<sub>N</sub>]</b>	12 V
<b>Max. continuous operating d.c. voltage [U<sub>C</sub>]</b>	15 V
<b>Max. continuous operating a.c. voltage [U<sub>C</sub>]</b>	10.6 V
<b>Nominal current for 45°C [I<sub>N</sub>]</b>	0.75 A
<b>D1 Total lightning impulse current (10/350 μs) [I<sub>imp</sub>]</b>	10 kA
<b>D1 Lightning impulse current (10/350 μs) per line [I<sub>imp</sub>]</b>	2.5 kA
<b>C2 Total nominal discharge current (8/20 μs) [I<sub>n</sub>]</b>	20 kA
<b>Voltage protection level line-line for I<sub>imp</sub> D1 [U<sub>p</sub>]</b>	≤ 50 V
<b>Voltage protection level line-PG for I<sub>imp</sub> D1 [U<sub>p</sub>]</b>	≤ 37 V
<b>Voltage protection level line-line for 1 kV/μs C3 [U<sub>p</sub>]</b>	≤ 38 V
<b>Voltage protection level line-PG for 1 kV/μs C3 [U<sub>p</sub>]</b>	≤ 19 V
<b>Series impedance per line</b>	1.8 ohms
<b>Bandwidth line-PG [f<sub>G</sub>]</b>	2.7 MHz
<b>Capacitance line-line [C]</b>	≤ 1.0 nF
<b>Capacitance line-PG [C]</b>	≤ 2.0 nF
<b>Operating temperature range</b>	-40°C...+80°C
<b>Degree of protection (plugged-in)</b>	IP 20
<b>Pluggable into</b>	base part
<b>Earthing by</b>	base part
<b>Enclosure material</b>	polyamide PA 6.6
<b>Colour</b>	yellow
<b>Test standards</b>	IEC 61643-21

<b>Ordering information</b>	
<b>Type</b>	BXT ML2 BE S 12
<b>Part No.</b>	<b>920 222</b>
<b>Packing unit</b>	1 pcs.

Change in form and technology, with masses, weights and materials we reserve ourselves in the sense of the progress of the technology. The illustrations are noncommittal.