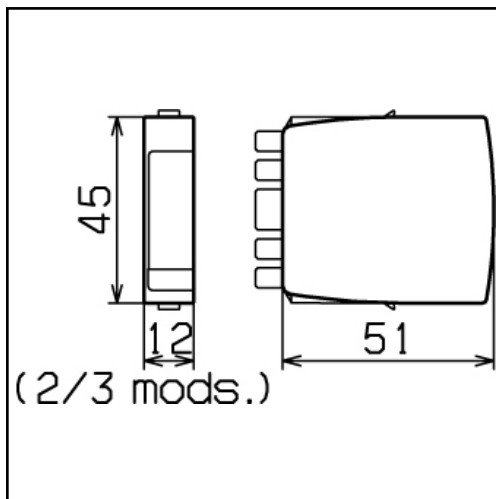
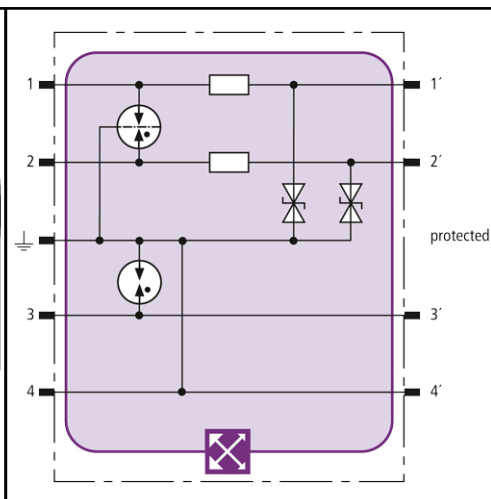


PLUGGABLE SPDs FOR DIN RAIL MOUNTING

BXT ML2 BE S 24



Dimension drawing BXT ML2 BE



LifeCheck detects thermal and electrical overloads after which the SPD has to be replaced. This operating state is indicated by non-contact device DEHNrecord LC.



- **LifeCheck SPD monitoring**
- **Optimal protection for 2 single lines and shield**
- **For use according to the lightning protection zones concept at boundaries 0_A 2 and higher**

Space-saving combined lightning current and surge arrester module with LifeCheck monitoring for protecting 2 single lines with common reference potential as well as unbalanced interfaces, available with direct or indirect shield earthing.

BXT ML2 BE S 24

SPD class	TYPE I Pt
SPD monitoring system	LifeCheck
Nominal voltage [U _N]	24 V
Max. continuous operating d.c. voltage [U _C]	33 V
Max. continuous operating a.c. voltage [U _C]	23.3 V
Nominal current for 45°C [I _N]	0.75 A
D1 Total lightning impulse current (10/350 μs) [I _{imp}]	10 kA
D1 Lightning impulse current (10/350 μs) per line [I _{imp}]	2.5 kA
C2 Total nominal discharge current (8/20 μs) [I _n]	20 kA
Voltage protection level line-line for I _{imp} D1 [U _p]	≤ 102 V
Voltage protection level line-PG for I _{imp} D1 [U _p]	≤ 66 V
Voltage protection level line-line for 1 kV/μs C3 [U _p]	≤ 90 V
Voltage protection level line-PG for 1 kV/μs C3 [U _p]	≤ 45 V
Series impedance per line	1.8 ohms
Bandwidth line-PG [f _G]	6.8 MHz
Capacitance line-line [C]	≤ 0.5 nF
Capacitance line-PG [C]	≤ 1.0 nF
Operating temperature range	-40°C...+80°C
Degree of protection (plugged-in)	IP 20
Pluggable into	base part
Earthing by	base part
Enclosure material	polyamide PA 6.6
Colour	yellow
Test standards	IEC 61643-21

Ordering information

Type	BXT ML2 BE S 24
Part No.	920 224
Packing unit	1 pcs.

Change in form and technology, with masses, weights and materials we reserve ourselves in the sense of the progress of the technology. The illustrations are noncommittal.