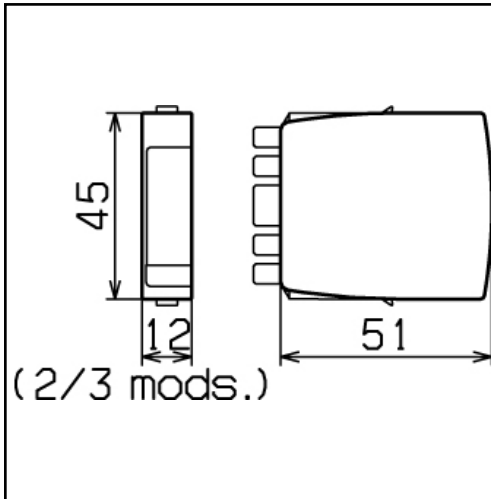
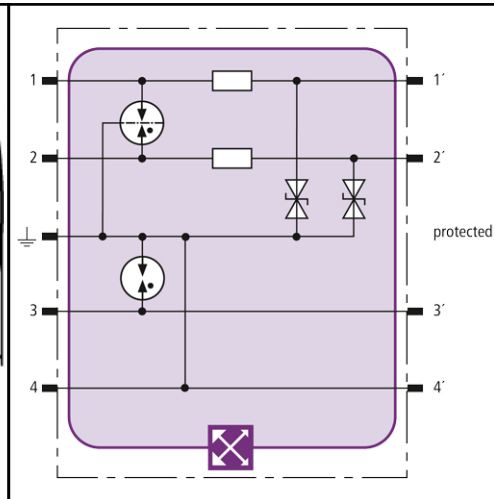


PLUGGABLE SPDs FOR DIN RAIL MOUNTING

BXT ML2 BE S 48



Dimension drawing BXT ML2 BE



LifeCheck detects thermal and electrical overloads after which the SPD has to be replaced. This operating state is indicated by non-contact device DEHNrecord LC.



- **LifeCheck SPD monitoring**
- **Optimal protection for 2 single lines and shield**
- **For use according to the lightning protection zones concept at boundaries 0_A 2 and higher**

Space-saving combined lightning current and surge arrester module with LifeCheck monitoring for protecting 2 single lines with common reference potential as well as unbalanced interfaces, available with direct or indirect shield earthing.

BXT ML2 BE S 48

| SPD class | TYPE [P] |
|--|------------------|
| SPD monitoring system | LifeCheck |
| Nominal voltage [U _N] | 48 V |
| Max. continuous operating d.c. voltage [U _C] | 54 V |
| Max. continuous operating a.c. voltage [U _C] | 38.1 V |
| Nominal current for 45°C [I _N] | 0.75 A |
| D1 Total lightning impulse current (10/350 μs) [I _{imp}] | 10 kA |
| D1 Lightning impulse current (10/350 μs) per line [I _{imp}] | 2.5 kA |
| C2 Total nominal discharge current (8/20 μs) [I _n] | 20 kA |
| Voltage protection level line-line for I _{imp} D1 [U _p] | ≤ 160 V |
| Voltage protection level line-PG for I _{imp} D1 [U _p] | ≤ 95 V |
| Voltage protection level line-line for 1 kV/μs C3 [U _p] | ≤ 140 V |
| Voltage protection level line-PG for 1 kV/μs C3 [U _p] | ≤ 70 V |
| Series impedance per line | 1.8 ohms |
| Bandwidth line-PG [f _G] | 8.7 MHz |
| Capacitance line-line [C] | ≤ 0.35 nF |
| Capacitance line-PG [C] | ≤ 0.7 nF |
| Operating temperature range | -40°C...+80°C |
| Degree of protection (plugged-in) | IP 20 |
| Pluggable into | base part |
| Earthing by | base part |
| Enclosure material | polyamide PA 6.6 |
| Colour | yellow |
| Test standards | IEC 61643-21 |

| Ordering information | |
|----------------------|-----------------|
| Type | BXT ML2 BE S 48 |
| Part No. | 920 225 |
| Packing unit | 1 pcs. |

Change in form and technology, with masses, weights and materials we reserve ourselves in the sense of the progress of the technology. The illustrations are noncommittal.