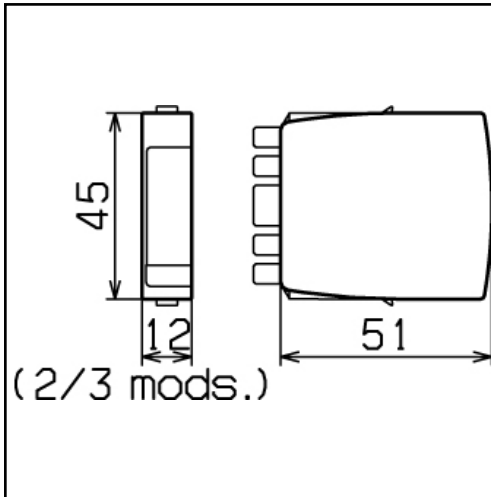
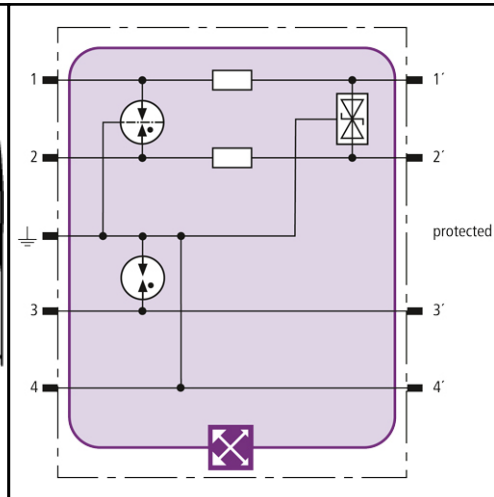


PLUGGABLE SPDs FOR DIN RAIL MOUNTING

BXT ML2 BE HFS 5



Dimension drawing BXT ML2 BE HFS



LifeCheck detects thermal and electrical overloads after which the SPD has to be replaced. This operating state is indicated by non-contact device DEHNrecord LC.



- LifeCheck SPD monitoring
- Optimal protection for 1 pair and shield
- For use according to the lightning protection zones concept at boundaries 0_A 2 and higher

Space-saving combined lightning current and surge arrester module with LifeCheck monitoring for protecting 1 pair in high-frequency transmissions without electrical isolation; available with direct or indirect shield earthing.

BXT ML2 BE HFS 5

SPD class	TYPE I_{PL}
SPD monitoring system	LifeCheck
Nominal voltage [U_N]	5 V
Max. continuous operating d.c. voltage [U_C]	6.0 V
Max. continuous operating a.c. voltage [U_C]	4.2 V
Nominal current for 45°C [I_N]	1.0 A
D1 Total lightning impulse current (10/350 µs) [I_{imp}]	10 kA
D1 Lightning impulse current (10/350 µs) per line [I_{imp}]	2.5 kA
C2 Total nominal discharge current (8/20 µs) [I_n]	20 kA
Voltage protection level line-line for I_{imp} D1 [U_p]	≤ 26 V
Voltage protection level line-PG for I_{imp} D1 [U_p]	≤ 40 V
Voltage protection level line-line for 1 kV/µs C3 [U_p]	≤ 11 V
Voltage protection level line-PG for 1 kV/µs C3 [U_p]	≤ 11 V
Series impedance per line	1.0 ohm
Bandwidth line-PG [f_G]	100 MHz
Capacitance line-line [C]	≤ 20 pF
Capacitance line-PG [C]	≤ 25 pF
Operating temperature range	-40°C...+80°C
Degree of protection (plugged-in)	IP 20
Pluggable into	base part
Earthing by	base part
Enclosure material	polyamide PA 6.6
Colour	yellow
Test standards	IEC 61643-21

Ordering information	
Type	BXT ML2 BE HFS 5
Part No.	920 270
Packing unit	1pcs.

Change in form and technology, with masses, weights and materials we reserve ourselves in the sense of the progress of the technology. The illustrations are noncommittal.