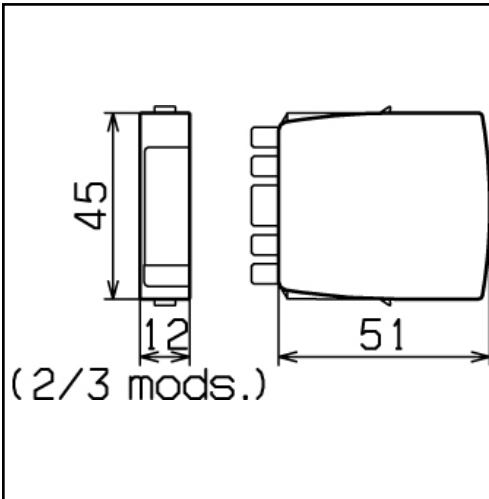
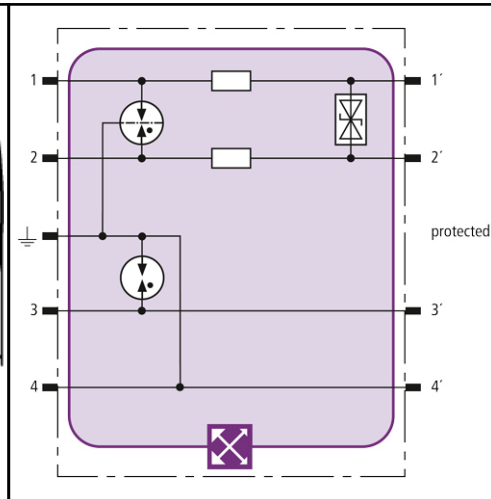


PLUGGABLE SPDs FOR DIN RAIL MOUNTING

BXT ML2 BD HFS 5



Dimension drawing BXT ML2 BD HFS



LifeCheck detects thermal and electrical overloads after which the SPD has to be replaced. This operating state is indicated by non-contact device DEHNrecord LC.



- LifeCheck SPD monitoring
- Minimum signal influence
- For use according to the lightning protection zones concept at boundaries 0A 2 and higher

Space-saving combined lightning current and surge arrester module with LifeCheck monitoring for protecting 1 pair in high-frequency bus systems or video transmission systems, available with direct or indirect shield earthing.

BXT ML2 BD HFS 5

SPD class	TYPE I P1
SPD monitoring system	LifeCheck
Nominal voltage [U_N]	5 V
Max. continuous operating d.c. voltage [U_C]	6.0 V
Max. continuous operating a.c. voltage [U_C]	4.2 V
Nominal current for 45°C [I_N]	1.0 A
D1 Total lightning impulse current (10/350 µs) [I_{imp}]	10 kA
D1 Lightning impulse current (10/350 µs) per line [I_{imp}]	2.5 kA
C2 Total nominal discharge current (8/20 µs) [I_n]	20 kA
Voltage protection level line-line for I_{imp} D1 [U_p]	≤ 25 V
Voltage protection level line-PG for I_{imp} D1 [U_p]	≤ 550 V
Voltage protection level line-line for 1 kV/µs C3 [U_p]	≤ 11 V
Voltage protection level line-PG for 1 kV/µs C3 [U_p]	≤ 550 V
Series impedance per line	1.0 ohm
Bandwidth line-line [f_G]	100 MHz
Capacitance line-line [C]	≤ 25 pF
Capacitance line-PG [C]	≤ 16 pF
Operating temperature range	-40°C...+80°C
Degree of protection (plugged-in)	IP 20
Pluggable into	base part
Earthing by	base part
Enclosure material	polyamide PA 6.6
Colour	yellow
Test standards	IEC 61643-21

Ordering information	
Type	BXT ML2 BD HFS 5
Part No.	920 271
Packing unit	1 pcs.

Change in form and technology, with masses, weights and materials we reserve ourselves in the sense of the progress of the technology. The illustrations are noncommittal.