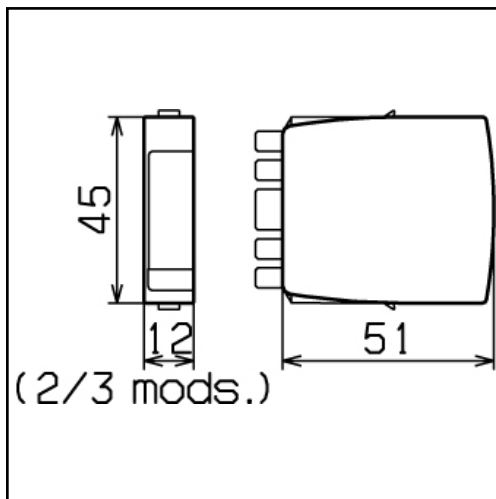
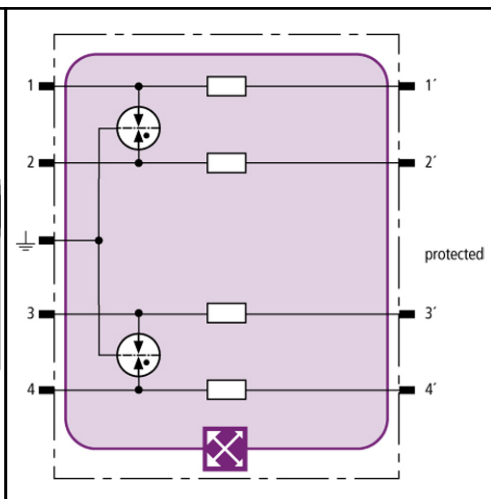


PLUGGABLE SPDs FOR DIN RAIL MOUNTING

BXT ML4 B 180



Dimension drawing BXT ML4 B



LifeCheck detects thermal and electrical overloads after which the SPD has to be replaced. Indication is provided by DEHNrecord LC without contacting.



- LifeCheck SPD control
- 4-pole lightning equipotential bonding
- For use according to the lightning protection zones concept at boundaries 0_A – 1 and higher

Space-saving lightning current arrester module with LifeCheck for nearly all types of applications. Generally used in connection with downstream surge arresters -type2P1.

BXT ML4 B 180

SPD Class	TYPE I +
SPD control	LifeCheck
Nominal voltage [U _N]	180 V
Max. continuous dc voltage [U _C]	180 V
Max. continuous ac voltage [U _C]	130 V
Nominal current at 45°C [I _L]	1.2 A
D1 Total lightning impulse current (10/350 μs) [I _{imp}]	10 kA
D1 Lightning impulse current (10/350 μs) per line [I _{imp}]	2.5 kA
C2 Total nominal discharge current (8/20 μs) [I _n]	20 kA
Voltage protection level line-line at I _{imp} D1 [U _p]	≤ -- V
Voltage protection level line-PG at I _{imp} D1 [U _p]	≤ -- V
Voltage protection level line-line at 1 kV/μs C3 [U _p]	≤ 700 V
Voltage protection level line-PG at 1 kV/μs C3 [U _p]	≤ 600 V
Series impedance per line	0.4 Ohm
Capacitance line-line [C]	≤ 6 pF
Capacitance line-PG [C]	≤ 6 pF
Operating temperature range	-40°C...+80°C
Degree of protection (plugged-in)	IP 20
Pluggable into	base part
Earthing by	base part
Enclosure material	polyamide PA 6.6
Colour	yellow
Test standards	IEC 61643-21

Ordering information

Type	BXT ML4 B 180
Part No.	920 310
Packing unit	1pcs.

Change in form and technology, with masses, weights and materials we reserve ourselves in the sense of the progress of the technology. The illustrations are noncommittal.