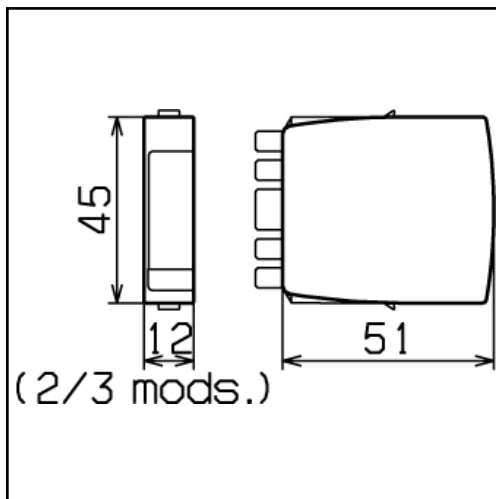
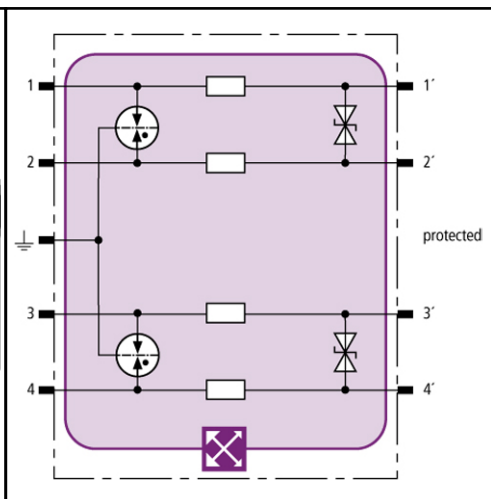


PLUGGABLE SPDs FOR DIN RAIL MOUNTING

BXT ML4 BD 12



Dimension drawing BXT ML4 BD



LifeCheck detects thermal and electrical overloads after which the SPD has to be replaced. Indication is performed by DEHNrecord LC without contacting.



- LifeCheck SPD control
- Optimum protection for 2 single pairs
- For use according to the lightning protection zones concept at boundaries 0<sub>A</sub> – 2 and higher

Space-saving combined lightning current and surge arrester module with LifeCheck for protection of 2 single pairs of balanced interfaces with electrical isolation.

**BXT ML4 BD 12**

<b>SPD Class</b>	TYPE 1P1
<b>SPD control</b>	LifeCheck
<b>Nominal voltage [U<sub>N</sub>]</b>	12 V
<b>Max. continuous dc voltage [U<sub>C</sub>]</b>	15 V
<b>Max. continuous ac voltage [U<sub>C</sub>]</b>	10.6 V
<b>Nominal current at 45°C [I<sub>L</sub>]</b>	1.0 A
<b>D1 Total lightning impulse current (10/350 μs) [I<sub>imp</sub>]</b>	10 kA
<b>D1 Lightning impulse current (10/350 μs) per line [I<sub>imp</sub>]</b>	2.5 kA
<b>C2 Total nominal discharge current (8/20 μs) [I<sub>n</sub>]</b>	20 kA
<b>Voltage protection level line-line at I<sub>imp</sub> D1 [U<sub>p</sub>]</b>	≤ 25 V
<b>Voltage protection level line-PG at I<sub>imp</sub> D1 [U<sub>p</sub>]</b>	≤ 550 V
<b>Voltage protection level line-line at 1 kV/μs C3 [U<sub>p</sub>]</b>	≤ 19 V
<b>Voltage protection level line-PG at 1 kV/μs C3 [U<sub>p</sub>]</b>	≤ 550 V
<b>Series impedance per line</b>	1.0 Ohm
<b>Bandwidth line-line [f<sub>G</sub>]</b>	2.8 MHz
<b>Capacitance line-line [C]</b>	≤ 1.8 nF
<b>Capacitance line-PG [C]</b>	≤ 16 pF
<b>Operating temperature range</b>	-40°C...+80°C
<b>Degree of protection (plugged-in)</b>	IP 20
<b>Pluggable into</b>	base part
<b>Earthing by</b>	base part
<b>Enclosure material</b>	polyamide PA 6.6
<b>Colour</b>	yellow
<b>Test standards</b>	IEC 61643-21

**Ordering information**

<b>Type</b>	BXT ML4 BD 12
<b>Part No.</b>	<b>920 342</b>
<b>Packing unit</b>	1pcs.

Change in form and technology, with masses, weights and materials we reserve ourselves in the sense of the progress of the technology. The illustrations are noncommittal.