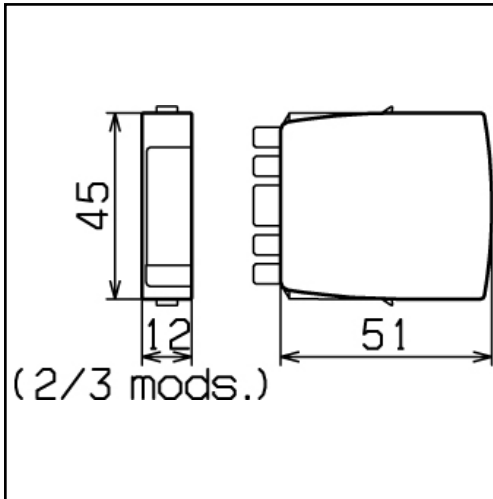
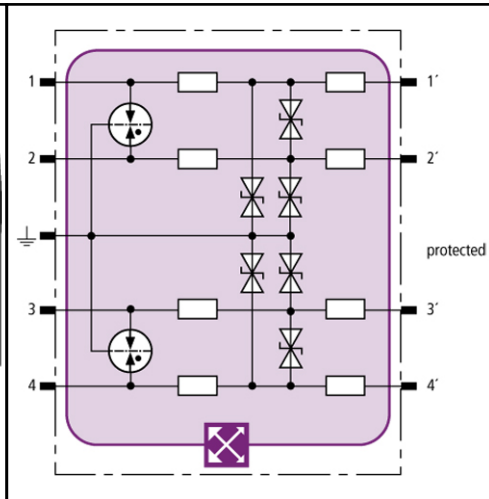


PLUGGABLE SPDs FOR DIN RAIL MOUNTING

BXT ML4 BE C 24



Dimension drawing BXT ML4 BE C



LifeCheck detects thermal and electrical overloads after which the SPD has to be replaced. Indication is performed by DEHNrecord LC without contacting.



- LifeCheck SPD control
- Additional decoupling to the terminal equipment
- For use according to the lightning protection zones concept at boundaries 0<sub>A</sub> – 2 and higher

Space-saving combined lightning current and surge arrester module with LifeCheck for protection of 2 pairs of balanced interfaces with protective diode circuit at the input, current loops (TTY) and optocoupler inputs.

**BXT ML4 BE C 24**

|   |                  |
|---|------------------|
| <b>SPD Class</b>  | <b>TYPE I P1</b> |
| <b>SPD control</b>  | LifeCheck        |
| <b>Nominal voltage [U<sub>N</sub>]</b>  | 24 V             |
| <b>Max. continuous dc voltage [U<sub>C</sub>]</b>                               | 33 V             |
| <b>Max. continuous ac voltage [U<sub>C</sub>]</b>                               | 23.3 V           |
| <b>Nominal current at 45°C [I<sub>L</sub>]</b>                                  | 0.1 A            |
| <b>D1 Total lightning impulse current (10/350 µs) [I<sub>imp</sub>]</b>         | 10 kA            |
| <b>D1 Lightning impulse current (10/350 µs) per line [I<sub>imp</sub>]</b>      | 2.5 kA           |
| <b>C2 Total nominal discharge current (8/20 µs) [I<sub>n</sub>]</b>             | 20 kA            |
| <b>Voltage protection level line-line at I<sub>imp</sub> D1 [U<sub>p</sub>]</b> | ≤ 65 V           |
| <b>Voltage protection level line-PG at I<sub>imp</sub> D1 [U<sub>p</sub>]</b>   | ≤ 50 V           |
| <b>Voltage protection level line-line at 1 kV/µs C3 [U<sub>p</sub>]</b>         | ≤ 45 V           |
| <b>Voltage protection level line-PG at 1 kV/µs C3 [U<sub>p</sub>]</b>           | ≤ 45 V           |
| <b>Series impedance per line</b>  | 28.8 Ohm         |
| <b>Bandwidth Ad-PG [f<sub>G</sub>]</b>  | 1.7 MHz          |
| <b>Capacitance line-line [C]</b>  | ≤ 1.5 nF         |
| <b>Capacitance line-PG [C]</b>  | ≤ 1.5 nF         |
| <b>Operating temperature range</b>  | -40°C...+80°C    |
| <b>Degree of protection (plugged-in)</b>  | IP 20            |
| <b>Pluggable into</b>   | base part        |
| <b>Earthing by</b>  | base part        |
| <b>Enclosure material</b>   | polyamide PA 6.6 |
| <b>Colour</b>   | yellow           |
| <b>Test standards</b>   | IEC 61643-21     |

|                             |                 |
|-----------------------------|-----------------|
| <b>Ordering information</b> |                 |
| <b>Type</b>                 | BXT ML4 BE C 24 |
| <b>Part No.</b>             | 920 364         |
| <b>Packing unit</b>         | 1pcs.           |

Change in form and technology, with masses, weights and materials we reserve ourselves in the sense of the progress of the technology. The illustrations are noncommittal.