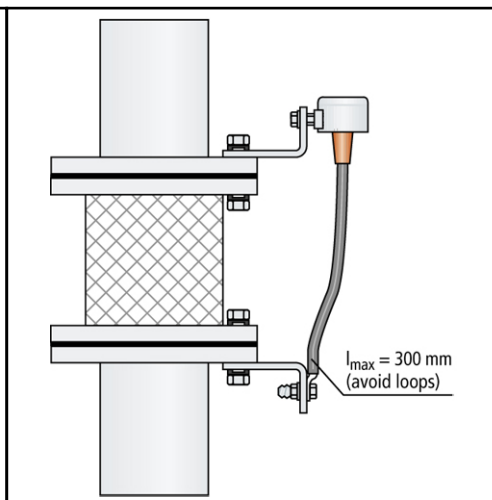


Dimension drawing EXFS



Installation of EXFS



EXFS L ...: Ex Isolating spark gap for aboveground installation

- For indirect connection/earthing of functionally separate parts of installations when being affected by lightning
- Unit for lightning equipotential bonding according to IEC 62305 for hazardous areas (Zone 2)
- Corresponds to "ATEX Directive" 94/9/EC
- Corrosion-resistant enclosure of zinc die casting with plastic cover and flexible conductor connection
- For bridging insulating pieces, insulating flanges, etc. in cathodic protected pipe sections
- Highly loadable unit

EXFS L300	
Lightning impulse current (10/350 $\mu$ s)	50 kA
Classification of lightning current carrying capability acc. to prEN 50164-3	N
Nominal discharge current (8/20 $\mu$ s)	100 kA
100% lightning impulse sparkover voltage	$\leq 2.5$ kV
Power frequency sparkover voltage (50 Hz)	$\leq 1.2$ kV
Type of protection according to EN 50014, EN 50021	II 3 G EEx nC II T4
Operating temperature range [T <sub>U</sub> ]	-20°C...+80°C
Degree of protection	IP 54
Approvals, Certifications	ZELM 03 ATEX 3192X
Length of enclosure	90 mm
Diameter of enclosure	63 mm
Enclosure material	zinc die casting, plastic
Connecting cable	H01N2-D 25 mm <sup>2</sup> with cable lug and M10 screw / nut
Cable length	300 mm
Suitable for flange size	220-320 mm
<b>Ordering information</b>	
Type	EXFS L300
Part No.	<b>923 062</b>
Packing unit	1pcs.

Change in form and technology, with masses, weights and materials we reserve ourselves in the sense of the progress of the technology. The illustrations are noncommittal.