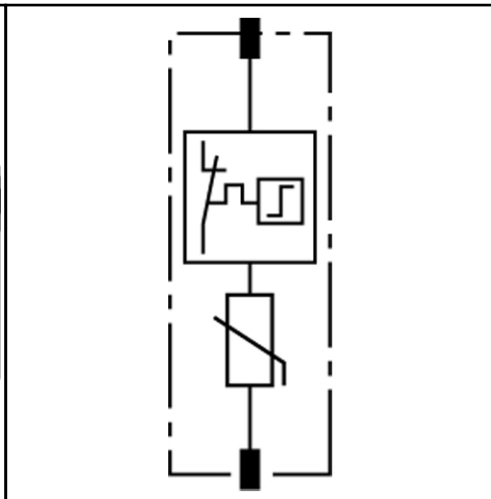
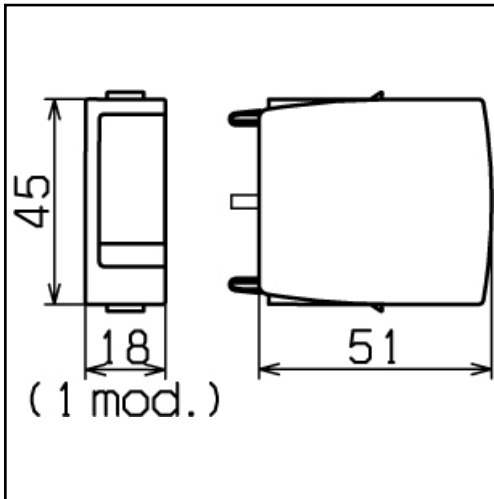


SPDS TYPE 2

DG MOD 750



Dimension drawing DG MOD varistor-based protection module

Basic circuit diagram DG MOD varistor-based protection module

DG MOD ...: Varistor-based protection module for DEHNgard M ... and DEHNgard S ... surge arresters

- High discharge capacity due to powerful zinc oxide varistors/spark gaps
- High reliability due to "Thermo Dynamic Control"
- Energy-coordinated within the Red/Line product family
- Operating state/fault indication by mark in the inspection window
- Allows for easy module exchange without tools by module locking system with releasing button
- Tested for vibration- and shock-proofness acc. to EN 60668-2

DG MOD 750	
Nominal discharge current (8/20 μs) [I <sub>n</sub> ]	15 kA
Max. discharge current (8/20 μs) [I <sub>max</sub> ]	25 kA
Max. continuous ac voltage [U <sub>C</sub> ]	600 V
Max. continuous dc voltage [U <sub>C</sub> ]	600 V
Rated voltage (varistor) [U <sub>mov</sub> ]	750 V
<b>Ordering information</b>	
Type	DG MOD 750
Part No.	952 017
Packing unit	200pcs.

Change in form and technology, with masses, weights and materials we reserve ourselves in the sense of the progress of the technology. The illustrations are noncommittal.