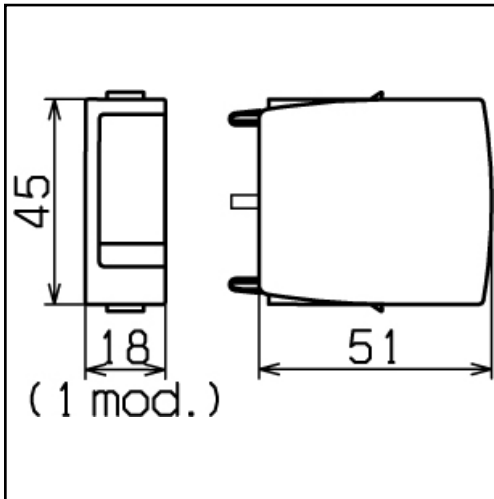
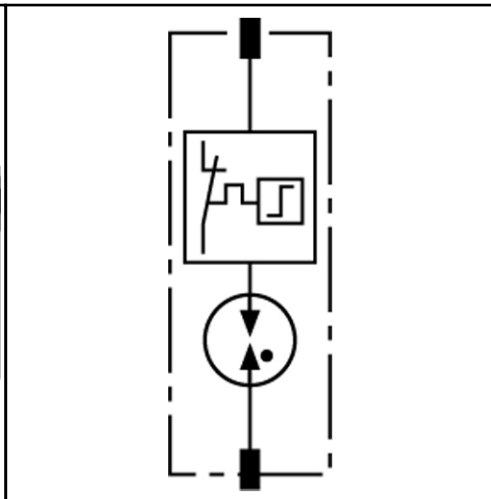


SPDS TYPE 2

DG MOD NPE



Dimension drawing DG MOD NPE



Basic circuit diagram DG MOD NPE



DG MOD NPE: N-PE spark-gap-based protection module for two- and four-pole DEHNgard DG M TT ... surge arresters

- High discharge capacity due to powerful zinc oxide varistors/spark gaps
- High reliability due to "Thermo Dynamic Control"
- Energy-coordinated within the Red/Line product family
- Operating state/fault indication by mark in the inspection window
- Allows for easy module exchange without tools by module locking system with releasing button
- Tested for vibration- and shock-proofness acc. to EN 60068-2

DG MOD NPE	
Nominal discharge current (8/20 μs) [I _n]	20 kA
Max. discharge current (8/20 μs) [I _{max}]	40 kA
Max. continuous ac voltage [U _C]	255 V
Ordering information	
Type	DG MOD NPE
Part No.	952 050
Packing unit	1 pcs.

Change in form and technology, with masses, weights and materials we reserve ourselves in the sense of the progress of the technology. The illustrations are noncommittal.