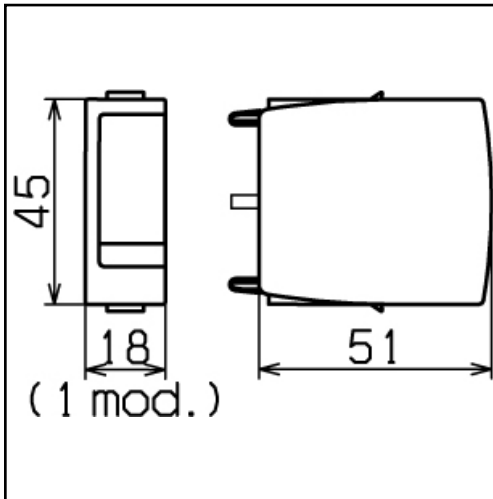
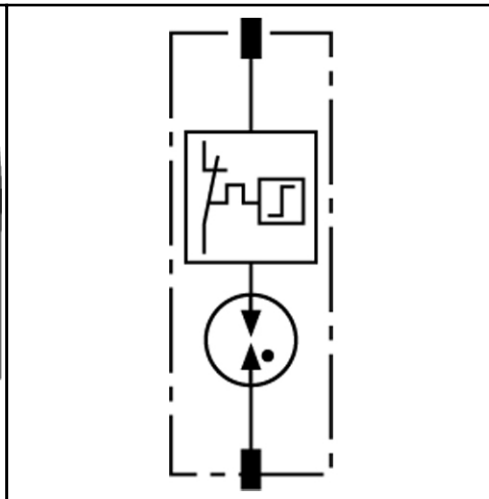


SPDS TYPE 2

DGP C MOD



Dimension drawing DGP C MOD



Basic circuit diagram DGP C MOD



DGP C MOD: N-PE spark-gap-based protection module for single-pole N-PE surge arresters type DEHNgap DGP C S ...

- High discharge capacity due to powerful zinc oxide varistors/spark gaps
- High reliability due to "Thermo Dynamic Control"
- Energy-coordinated within the Red/Line product family
- Operating state/fault indication by mark in the inspection window
- Allows for easy module exchange without tools by module locking system with releasing button
- Tested for vibration- and shock-proofness acc. to EN 60068-2

DGP C MOD	
Nominal discharge current (8/20 μs) [I <sub>n</sub> ]	20 kA
Max. discharge current (8/20 μs) [I <sub>max</sub> ]	40 kA
Max. continuous ac voltage [U <sub>C</sub> ]	255 V
<b>Ordering information</b>	
Type	DGP C MOD
Part No.	952 060
Packing unit	1 pcs.

Change in form and technology, with masses, weights and materials we reserve ourselves in the sense of the progress of the technology. The illustrations are noncommittal.