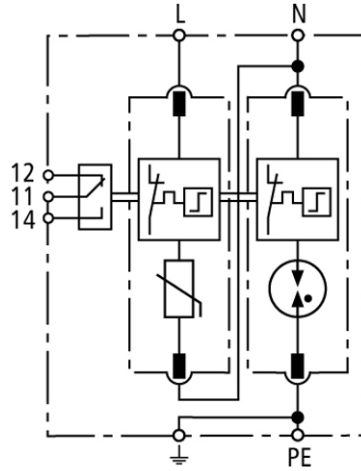


Dimension drawing DG M TT 2P ... FM



Basic circuit diagram DG M TT 2P ... FM



DG M TT 2P ... (FM): Modular surge arrester for single-phase 230 V TT and TN systems ("1+1" circuit)

- Complete prewired unit for single-phase 230 V TT and TN systems, consisting of a base part and plug-in protection modules
- Energy-coordinated within the Red/Line product family
- High discharge capacity due to powerful zinc oxide varistors/spark gaps
- Reliable SPD control due to "Thermo Dynamic Control"
- Operating state/fault indication of every protective circuit
- Multifunctional terminals for connection of conductors and busbars
- Easy exchange of protection modules without tools by module locking system with releasing button
- Tested for vibration- and shock-proofness acc. to EN 60068-2

DG M TT 2P 275 FM

SPD according to EN 61643-11	Type 2
SPD according to IEC 61643-1	Class II
Nominal ac voltage [U _N]	230 V
Max. continuous ac voltage [L-N] [U _C]	275 V
Max. continuous ac voltage [N-PE] [U _C]	255 V
Nominal discharge current (8/20 μs) [I _n]	20 kA
Max. discharge current (8/20 μs) [I _{max}]	40 kA
Lightning impulse current (10/350 μs) [N-PE] [I _{imp}]	12 kA
Voltage protection level [L-N] [U _p]	≤ 1.25 kV
Voltage protection level [L-N] at 5 kA [U _p]	≤ 1 kV
Voltage protection level [N-PE] [U _p]	≤ 1.5 kV
Follow current extinguishing capability [N-PE] [I _{ff}]	100 A _{rms}
Response time [L-N] [t _A]	≤ 25 ns
Response time [N-PE] [t _A]	≤ 100 ns
Max. mains-side overcurrent protection	125 A gL/gG
Short circuit withstand capability at max. mains-side overcurrent protection	50 kA _{rms}
TOV voltage [L-N] [U _T]	335 V / 5 sec.
TOV voltage [N-PE] [U _T]	1200 V / 200 ms
Operating temperature range [T _U]	-40°C...+80°C
Cross-sectional area (min.)	1.5 mm ² solid/flexible
Cross-sectional area (max.)	35 mm ² stranded/25 mm ² flexible
Mounting on	35 mm DIN rail acc. to EN 60715

Enclosure material	red thermoplastic, UL 94 V-0
Degree of protection	IP 20
Dimension	2 mods., DIN 4
Type of remote signalling contact	changeover contact
Switching capacity ac	250 V/0.5 A
Switching capacity dc	250 V/0.1 A; 125 V/0.2 A; 75 V/0.5 A
Cross-sectional area for remote signalling terminals	max. 1.5 mm ² solid/flexible
Ordering information	
Type	DG M TT 2P 275 FM
Part No.	952 115
Packing unit	1 pcs.

Change in form and technology, with masses, weights and materials we reserve ourselves in the sense of the progress of the technology. The illustrations are noncommittal.