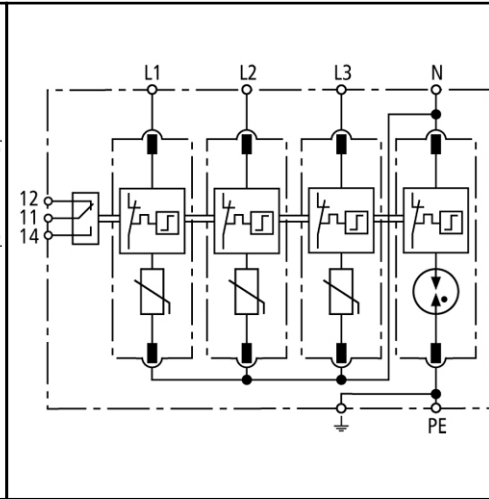


Dimension drawing DG M TT ... FM



Basic circuit diagram DG M TT ... FM



DG M TT ... (FM): Modular surge arrester for TT and TN-S systems ("3+1" circuit)

- Complete prewired unit for TT systems, consisting of a base part and plug-in protection modules
- Energy-coordinated within the Red/Line product family
- High discharge capacity due to powerful zinc oxide varistors/spark gaps
- Reliable SPD control due to "Thermo Dynamic Control"
- Operating state/fault indication of every protective circuit
- Multifunctional terminals for connection of conductors and busbars
- Easy exchange of protection modules without tools by module locking system with releasing button
- Tested for vibration- and shock-proofness acc. to EN 60068-2

| DG M TT 275  |   |
|--|---|
| SPD according to EN 61643-11   | Type 2  |
| SPD according to IEC 61643-1   | Class II  |
| Nominal ac voltage [U <sub>N</sub> ]   | 230/400 V   |
| Max. continuous ac voltage [L-N] [U <sub>C</sub> ]                           | 275 V   |
| Max. continuous ac voltage [N-PE] [U <sub>C</sub> ]                          | 255 V   |
| Nominal discharge current (8/20 μs) [I <sub>n</sub> ]                        | 20 kA   |
| Max. discharge current (8/20 μs) [I <sub>max</sub> ]                         | 40 kA   |
| Lightning impulse current (10/350 μs) [N-PE] [I <sub>imp</sub> ]             | 12 kA   |
| Voltage protection level [L-N] [U <sub>p</sub> ]                             | ≤ 1.25 kV   |
| Voltage protection level [L-N] at 5 kA [U <sub>p</sub> ]                     | ≤ 1 kV  |
| Voltage protection level [N-PE] [U <sub>p</sub> ]                            | ≤ 1.5 kV  |
| Follow current extinguishing capability [N-PE] [I <sub>ff</sub> ]            | 100 A <sub>rms</sub>                                    |
| Response time [L-N] [t <sub>A</sub> ]  | ≤ 25 ns   |
| Response time [N-PE] [t <sub>A</sub> ]                                       | ≤ 100 ns  |
| Max. mains-side overcurrent protection                                       | 125 A gL/gG   |
| Short circuit withstand capability at max. mains-side overcurrent protection | 50 kA <sub>rms</sub>                                    |
| TOV voltage [L-N] [U <sub>T</sub> ]  | 335 V / 5 sec.  |
| TOV voltage [N-PE] [U <sub>T</sub> ]   | 1200 V / 200 ms   |
| Operating temperature range [T <sub>U</sub> ]                                | -40°C...+80°C   |
| Cross-sectional area (min.)  | 1.5 mm <sup>2</sup> solid/flexible                      |
| Cross-sectional area (max.)  | 35 mm <sup>2</sup> stranded/25 mm <sup>2</sup> flexible |
| Mounting on  | 35 mm DIN rail acc. to EN 60715                         |

|                             |                              |
|-----------------------------|------------------------------|
| <b>Enclosure material</b>   | red thermoplastic, UL 94 V-0 |
| <b>Degree of protection</b> | IP 20                        |
| <b>Dimension</b>            | 4 mods., DIN 4               |
| <b>Ordering information</b> |                              |
| <b>Type</b>                 | DG M TT 275                  |
| <b>Part No.</b>             | <b>952 310</b>               |
| <b>Packing unit</b>         | 1 pcs.                       |

Change in form and technology, with masses, weights and materials we reserve ourselves in the sense of the progress of the technology. The illustrations are noncommittal.