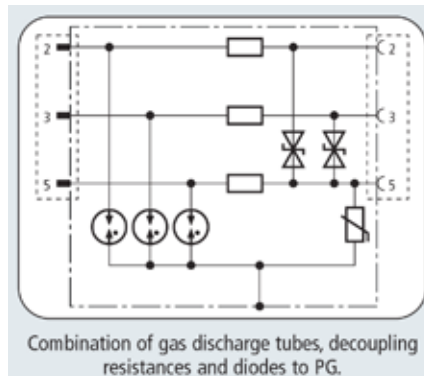
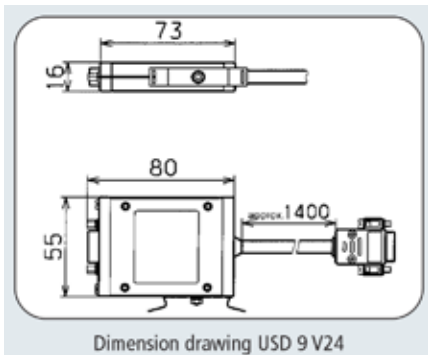


## Information Technology Systems D-Sub Connection

### USD USD 9 V24



- Plug-in surge arrester with 3-stage protective circuit
- For use according to the lightning protection zones concept at boundaries  $O_B - 2$  and higher

D-SUB 9-pole device. V.24 unit.

### Technical Data

	FS-9-V24	FS-9-V24
Nominal voltage $U_N$	12 V	12 V
Max. continuous dc voltage $U_C$	12.5 V	12.5 V
C2 Nominal discharge current (8/20) line-PG $I_n$	2.5 kA	2.5 kA
C2 Nominal discharge current (8/20) SG-PG $I_n$	7.5 kA	7.5 kA
Voltage protection level line-SG at $I_n$ C2 $U_p$	$\leq 20$ V	$\leq 20$ V
Voltage protection level SG-PG at $I_n$ C2 $U_p$	$\leq 250$ V	$\leq 250$ V
Voltage protection level line-SG at $1 \text{ kV}/\mu\text{s}$ C3 $U_p$	$\leq 18$ V	$\leq 18$ V
Voltage protection level SG-PG at $1 \text{ kV}/\mu\text{s}$ C3 $U_p$	$\leq 180$ V	$\leq 180$ V
Series impedance per line	15 Ohm	15 Ohm
Response time line-line/line-SG $t_a$	$\leq 1$ ns	$\leq 1$ ns
Response time SG-PG $t_a$	$\leq 25$ ns	$\leq 25$ ns
Operating temperature range	- 40°C ... + 80°C	- 40°C ... + 80°C
Mounting on	D-Sub	D-Sub
Connection input/output	D-Sub 9 plug / D-Sub 9 socket	D-Sub 9 socket / D-Sub 9 plug
Pinning	PG 1,2,3,4, SG:5	PG 1,2,3,4, SG:5
Earthing via	wire	wire
Test standards	VDE 0845-2, IEC 61643-21	VDE 0845-2, IEC 61643-21
<b>Ordering information</b>		
Type	FS-9-V24	FS-9-V24
Part No.	C00706	C00707
Packing unit	1 pc(s)	1 pc(s)