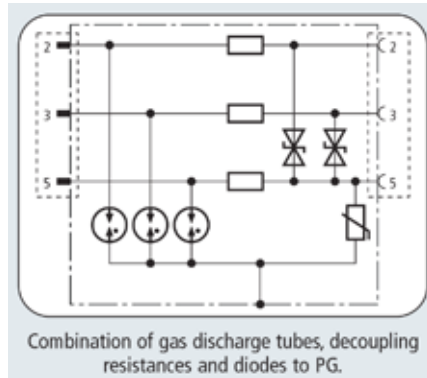
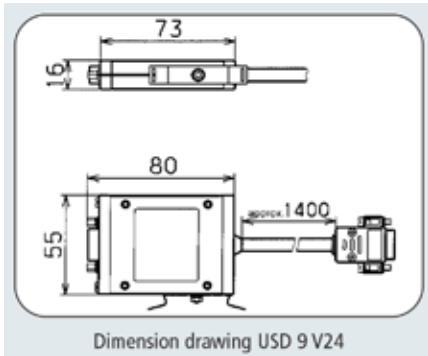




Information Technology Systems D-Sub Connection

USD
USD 9 V24



- Plug-in surge arrester with 3-stage protective circuit
- For use according to the lightning protection zones concept at boundaries $O_B - 2$ and higher

D-SUB 9-pole device. V.24 unit.

Technical Data

	FS-9-V24	FS-9-V24
Nominal voltage U_N	12 V	12 V
Max. continuous dc voltage U_C	12.5 V	12.5 V
C2 Nominal discharge current (8/20) line-PG I_n	2.5 kA	2.5 kA
C2 Nominal discharge current (8/20) SG-PG I_n	7.5 kA	7.5 kA
Voltage protection level line-SG at I_n C2 U_p	≤ 20 V	≤ 20 V
Voltage protection level SG-PG at I_n C2 U_p	≤ 250 V	≤ 250 V
Voltage protection level line-SG at 1 kV/ μ s C3 U_p	≤ 18 V	≤ 18 V
Voltage protection level SG-PG at 1 kV/ μ s C3 U_p	≤ 180 V	≤ 180 V
Series impedance per line	15 Ohm	15 Ohm
Response time line-line/line-SG t_a	≤ 1 ns	≤ 1 ns
Response time SG-PG t_a	≤ 25 ns	≤ 25 ns
Operating temperature range	- 40°C ... + 80°C	- 40°C ... + 80°C
Mounting on	D-Sub	D-Sub
Connection input/output	D-Sub 9 plug / D-Sub 9 socket	D-Sub 9 socket / D-Sub 9 plug
Pinning	PG 1,2,3,4, SG:5	PG 1,2,3,4, SG:5
Earthing via	wire	wire
Test standards	VDE 0845-2, IEC 61643-21	VDE 0845-2, IEC 61643-21
Ordering information		
Type	FS-9-V24	FS-9-V24
Part No.	C00706	C00707
Packing unit	1 pc(s)	1 pc(s)