

## Electrodes

## SAFETY EQUIPMENT VOLTAGE DETECTORS



### Onion-shaped Electrode

Type	Nominal voltage $U_N$	Material	Part No.
EL M8 SZ PHE PHV	from 3 kV	Ms/gal CuSn	766 913



### Pin-shaped Electrode

With additional M6 thread

Type	Nominal voltage $U_N$	Material	Part No.
EL M8 S PHE PHV	from 3 kV	StSt	766 925



### V-shaped Electrode

Type	Nominal voltage $U_N$	Material	Part No.
EL M8 V PHE PHV	from 3 kV	Cu/gal Sn	766 927



### Eaton Holec Magnefix Electrode

For Eaton Holec Magnefix switchgear installations type MA, MD4, MF, MG, MY

Type	Nominal voltage $U_N$	Material	Part No.
EL M8 MAG PHE PHV	3 ... 15 kV	Ms/gal CuSn, PVC	766 915



### Hook-shaped Electrode

Type	Nominal voltage $U_N$	Material	Part No.
EL M8 H PHE	for overhead lines only	steel/gal Zn	766 923



### Fork-shaped Electrode

Type	Nominal voltage $U_N$	Material	Part No.
EL M8 G PHE	for overhead lines only	StSt	766 924

## SAFETY EQUIPMENT

## Test Probes

## VOLTAGE DETECTORS

## Test Probe, straight

For switchgear installations with limited access (e.g. Calor Emag/Isopond and Krone/KES)

Type	Nominal voltage $U_N$	Diameter $\varnothing$	Total length $l_G$	Length $l_1$	Part No.
PSO M8 PHE	3 ... 24 kV	11 mm	420 mm	300 mm	766 916

## Test Probe, angled (25°)

For switchgear installations with limited access

Type	Nominal voltage $U_N$	Diameter $\varnothing$	Total length $l_G$	Length $l_1$	Part No.
PSO M8 W25 PHE	3 ... 24 kV	11 mm	450 mm	280 mm	766 940

## Test Probe, angled (45°)

For switchgear installations with limited access

Type	Nominal voltage $U_N$	Diameter $\varnothing$	Total length $l_G$	Length $l_1$	Part No.
PSO M8 W45 PHE	3 ... 24 kV	11 mm	395 mm	280 mm	766 941

## Test Probe, angled (90°)

For switchgear installations with limited access and remotely situated contacts

Type	Nominal voltage $U_N$	Diameter $\varnothing$	Total length $l_G$	Length $l_1$	Part No.
PSO M8 W90 PHE	3 ... 36 kV	20 mm	215 mm	370 mm	766 950

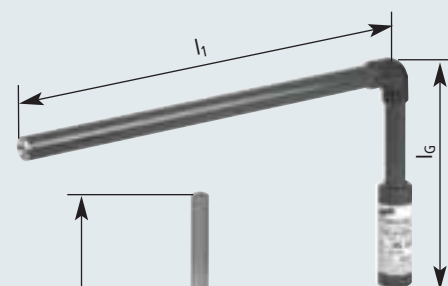
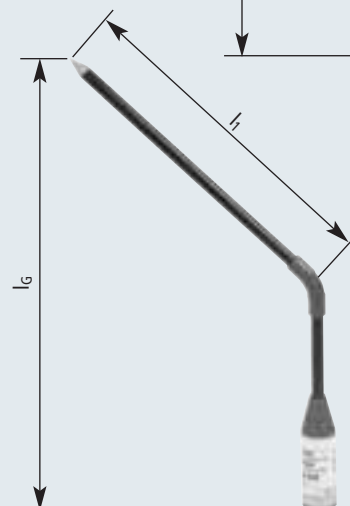
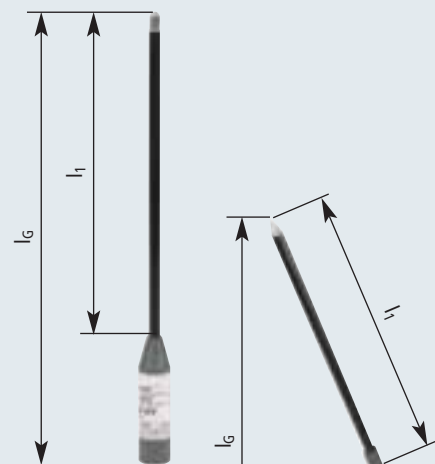
Note: Not for use in wet weather.

## Test Probe, straight, 800 mm

For substations and switchgear installations that require a greater insertion depth

Also for use in wet weather

Type	Nominal voltage $U_N$	Diameter $\varnothing$	Total length $l_G$	Part No.
PSO M8 PHE L800	3 ... 24 kV	14 mm	890 mm	766 960

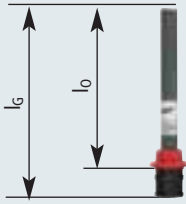


## Spare Parts

## SAFETY EQUIPMENT

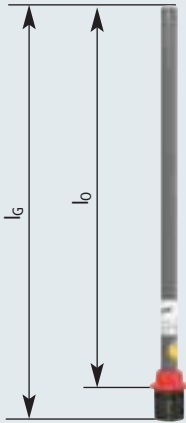
## Test Prods for PHE III Voltage Detector

## VOLTAGE DETECTORS

**Test Prod for Overhead Lines**

Category "L71" for 3 ... 36 kV

Type	Total length $l_G$	Insertion depth $l_O$	Part No.
L71 PS PHE 185	220 mm	185 mm	767 766

**Test Prod for Switchgear Installations and Overhead Lines**

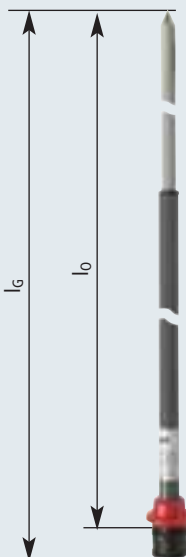
Category "S"

Type	Total length $l_G$	Insertion depth $l_O$	Part No.
S60 PS PHE 285	320 mm	285 mm	767 760
S61 PS PHE 435	470 mm	435 mm	767 761
S62 PS PHE 620	655 mm	620 mm	767 762
S63 PS PHE 780	815 mm	780 mm	767 763
S64 PS PHE 880	915 mm	880 mm	767 764

**Test Prod for Siemens 8CK Switchgear Installations**

Category "S" for PHE III voltage detectors, Part No. 767 721, 767 722 and 767 740

Type	Total length $l_G$	Insertion depth $l_O$	Part No.
S63 PS PHE 8CK	880 mm	845 mm	767 768

**Test Prod for Mipak Switchgear Installations**

Category "S" for PHE III voltage detectors, Part No. 767 731/S and 767 750/S

Type	Total length $l_G$	Insertion depth $l_O$	Part No.
S65 M PS PHE 905	940 mm	905 mm	767 767

## SAFETY EQUIPMENT

## Spare Parts

## VOLTAGE DETECTORS

## Electric Bulb

For PHE

Type	Description	Part No.
GL 3.5V 0.2A E10	Small electric bulb 3.5 V / 0.2 A	766 605



## Mignon Battery

Type	Description	Part No.
MZ 1.5V L91 FR6 LI	Mignon battery 1.5 V, lithium	766 612
MZ 1.5V IEC LR6 AL	Mignon battery, 1.5 V, alkaline manganese	766 613



## Block Battery

Type	Description	Part No.
EB 9V LI	9 V block battery, lithium	767 712
EB 9V AL	9 V block battery, alkaline manganese	767 713



## Sealing Ring

Type	Description	Part No.
DR PS PHE3	Sealing ring for PHE III test prod and ASP electric field sensor	767 779



## Protective Rubber

Type	Description	Part No.
FSG PHE	Protective rubber for PHE	767 776



## Protective Rubber

Type	Description	Part No.
FSG PHG2 PHV	Protective rubber for PHG II and PHV	767 777



## Plastic Star Grip Screw

Type	Description	Part No.
KS SG BLS 8	For universal gear couplings	766 105

new

