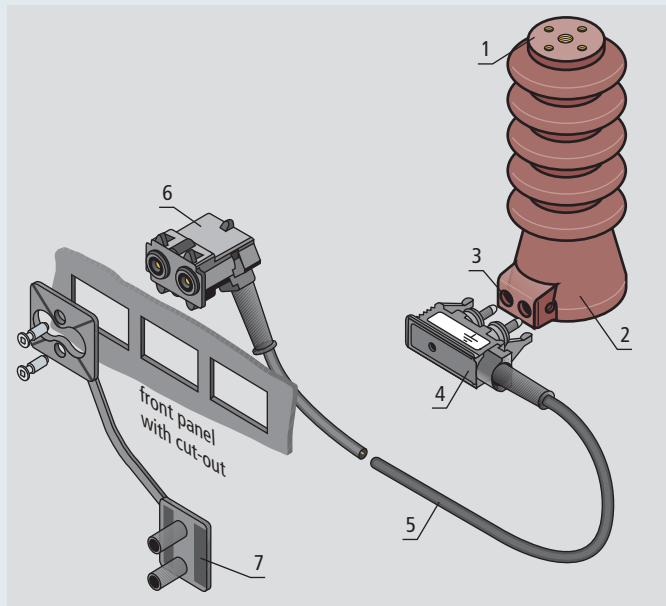


SAFETY EQUIPMENT

VOLTAGE DETECTING SYSTEMS

EN/IEC 61243-5 (DIN VDE 0682 Part 415)



DEHNcap/M interface module (single-pole unit)

Divider insulator

- 1 Fixing points for conductor bar
- 2 Fixing point and earth connection
- 3 Connection sockets for coupling electrodes

DEHNcap/M interface module

- 4 Terminal plug for coupling electrodes with integrated voltage-limiting device
- 5 Connecting cable (coaxial)
- 6 Measuring sockets (HR/LRM interface)
- 7 Frame with socket cover

DEHNcap/M Interface Modules

Nominal voltages up to 45 kV / 50 Hz

- Three-pole cable set
- Saline fog tested
- For use as HR or LRM measuring point (measuring socket) incl. frame and socket cover
- Anti-rotation connection for coupling electrodes for divider insulators made by Driescher in Moosburg/Germany

Type	Nominal voltage U_N	For Driescher divider insulators*)	Distance between measuring sockets	Cable length	Packing unit	Part No.
A DEHNcap/M-HR						
SM DCA M HR 6 12	6 ... 12 kV	2-45165983	19 mm	4000 mm	3 pc(s).	767 812 new
SM DCA M HR 10 24	10 ... 24 kV	2-45165984	19 mm	4500 mm	3 pc(s).	767 824 new
SM DCA M HR 20 38	20 ... 36 kV	2-45165985	19 mm	7000 mm	3 pc(s).	767 838 new
	20 ... 38.5 kV	2-45165986				
B DEHNcap/M-LRM						
SM DCA M LRM 6 12	6 ... 12 kV	2-45165983	14 mm	4000 mm	3 pc(s).	767 822 new
SM DCA M LRM 10 24	10 ... 24 kV	2-45165984	14 mm	4500 mm	3 pc(s).	767 844 new
SM DCA M LRM 20 38	20 ... 36 kV	2-45165985	14 mm	7000 mm	3 pc(s).	767 868 new
	20 ... 38.5 kV	2-45165986				



*) Divider insulators are not included in our product range. If you wish to order divider insulators, please contact Driescher in Moosburg/Germany specifying this Part No.